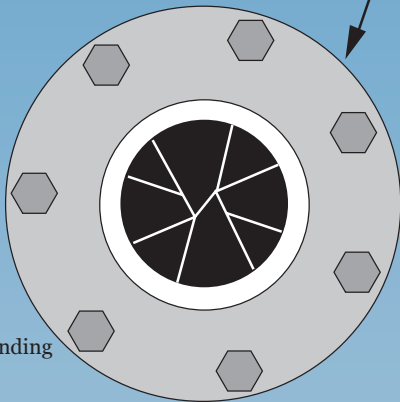
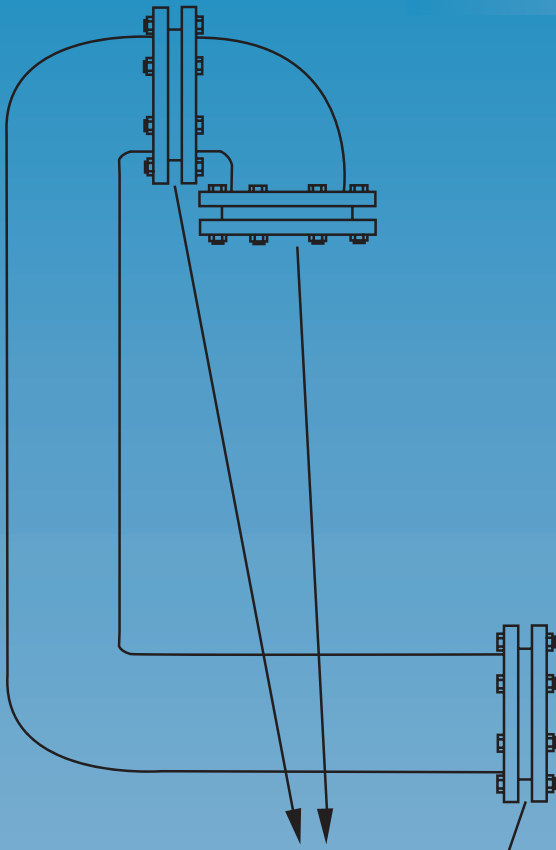


Protect your air valve vaults from freezing with FrostSafe®.

- *Designed to minimize the flow of cold air into vaults and reservoirs through vent piping*
- *Allows air valves to function at full rated capacity*
- *Wafer design minimizes space requirements*
- *Available for pipe sizes up to 12"*
- *100% corrosion resistant construction*
- *Provides 100% flow area*



Patent Pending

Front View of Pipe
Containing FrostSafe®
protector



Two-Way Air Damper

**A member of the Val-Matic
VaultSafe® Family of Products**

Cold air enters vaults through vent pipes used to vent air valves. When vaults and reservoirs reach freezing temperature, the operation of air valves and other equipment can be jeopardized.

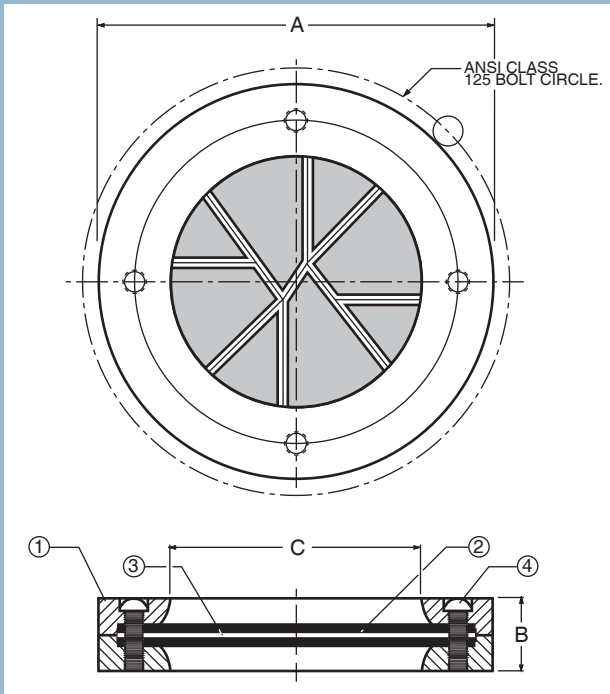
When installed in a vent pipe, FrostSafe® minimizes the thermal exchange of cold and warm air in and out of a vault to help prevent freezing. FrostSafe® will allow air valves to vent at full rated capacity.





Two-Way Air Damper

A member of the Val-Matic VaultSafe® Family of Products



Patent Pending

FrostSafe® Val-Matic Specification

1 Scope

1.1 The vent pipe shall be equipped with a wafer-style, two-way hingeless damper to prevent cold air from entering the vault but allow the vent to perform its function of admitting and expelling air under normal operating conditions.

2 Standards, Approvals and Verification

2.1 Manufacturer shall have a quality management system that is certified to ISO 9001:2000 by an accredited, certifying body.

3 Design

3.1 The damper shall consist of a two-part bolted body with a field replaceable flexible disc that opens fully in either direction to provide 100% flow area. The disc shall close without requiring annular clearance with the body.

3.2 The device shall contain no hinges or seats subject to freezing.

4 Materials

4.1 The body and disc shall be constructed of corrosion resistant materials capable of operating in a temperature range of -40° F to 150° F.

5 Options

5.1 An optional VentSafe® Security Cage shall be provided when specified to help prevent unauthorized access and foreign objects from entering the vault or reservoir vent, but still allow the vent to perform its function of admitting and expelling air under normal operating conditions.

6 Manufacture

6.1 The damper shall be a series 1500 as manufactured by Val-Matic Valve & Mfg. Corporation, Elmhurst, IL USA or approved equal.

FrostSafe® Two-Way Damper Series No. 1500 Standard Materials of Construction		
Part No.	Part Name	Material
1	Body	High Density Polyethylene (HDPE)
2	Rubber Membrane	Nylon Reinforced High Grade Neoprene
3	Damper Seal	PETG
4	Body Bolt	316 Stainless Steel

Note: All specifications as last revised.

Installation Dimensions, Inches ANSI Class 125				
Size	Model No.	A	B	C
4	1504	6.75	.75	4.00
6	1506	8.88	1.00	6.00
8	1508	10.88	1.25	8.00
12	1512	16.00	2.00	12.00

The Val-Matic VaultSafe® family of products includes the FloodSafe™ Inflow Preventer for cross connection control and the VentSafe® vent pipe security cage for security and to minimize small animals nesting in pipes. Contact Val-Matic for information on these and other products.